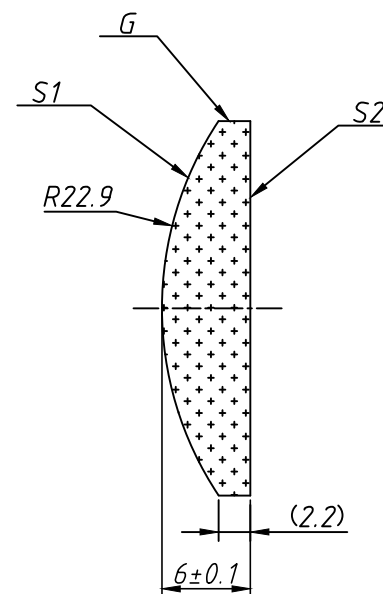
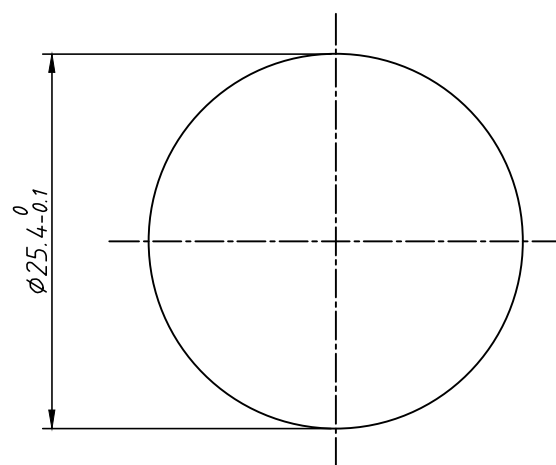


Isometric view 1: 1



Notes:

1. Materials: C7980 0F
2. Design Wavelength: 587.6nm
3. Focal Length: $f = +50.0\text{mm} \pm 1\%$
4. Back Focal Length(REF): $bf = 45.89 \text{ mm}$
5. Centration error: $\leq 2 \text{ arc min}$
6. Clear aperture: $\geq 90\%$
7. G - Fine ground surface
8. Coating: AR/AR@532nm(REFER TO COATING CURVES)
9. All dimensions are in mm

Parameters			SHALOM EO www.shalomeo.com		UVFS Plano-convex D=25.4 F=50 WITH AR@532nm COATING				
	S1	S2							
Shape	Convex	Plano							
Radius of curvature	22.92	Infinity							
Surface quality	10/5 S/D	10/5 S/D	Proprietary	Name	Date	Part number	Rev	Scale	
Surface Irregularity	$\lambda/10@632.8\text{nm}$	$\lambda/10@632.8\text{nm}$	<small>The drawing is property of Hangzhou Shalom EO, any reproduction in part or as a whole without permission is prohibited.</small>	DRAWN	YSF	27/Apr/20	1102-036	A	2:1
Power(P-V)	$3\lambda/2@632.8\text{nm}$	$\lambda/2@632.8\text{nm}$		APPROVAL	JT	27/Apr/20			
Protective chamfers	0.2mm x 45°	0.2mm x 45°							