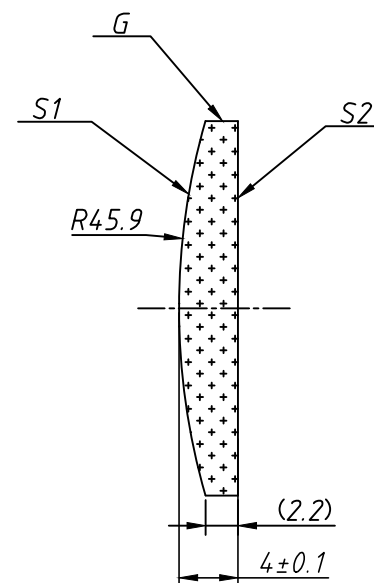
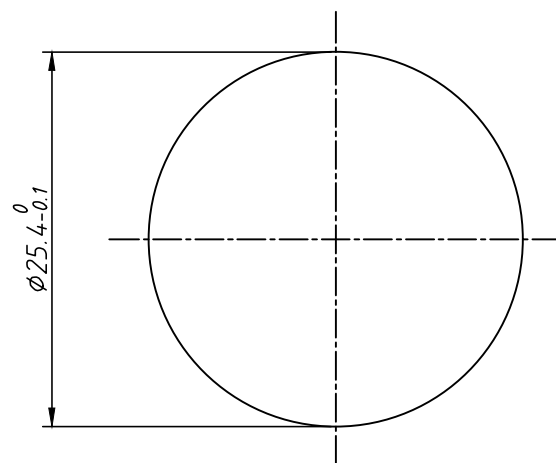


Isometric view 1: 1



Notes:

1. Materials: C7980 1D
2. Design Wavelength: 587.6nm
3. Focal Length: $f = +100.0\text{mm} \pm 1\%$
4. Back Focal Length(REF): $bf = 97.26 \text{ mm}$
5. Centration error: $\leq 2 \text{ arcmin}$
6. Clear aperture: $\geq 90\%$
7. G - Fine ground surface
8. Coating: AR/AR@400~700nm(REFER TO COATING CURVES)
9. All dimensions are in mm

Parameters			SHALOM EO www.shalomeo.com	UVFS Plano-convex D=25.4 F=100 WITH AR@400~700nm COATING					
	S1	S2		Proprietary	Name	Date	Part number	Rev	Scale
Shape	Convex	Plano							
Radius of curvature	45.85	Infinity		The drawing is property of Hangzhou Shalom EO, any reproduction in part or as a whole without permission is prohibited.	DRAWN	YSF	27/Apr/20	1102-074	A
Surface quality	10/5 S/D	10/5 S/D	APPROVAL		JT	27/Apr/20			
Surface Irregularity	$\lambda/10@632.8\text{nm}$	$\lambda/10@632.8\text{nm}$							
Power(P-V)	$3\lambda/2@632.8\text{nm}$	$\lambda/2@632.8\text{nm}$							
Protective chamfers	0.2mm x 45°	0.2mm x 45°							