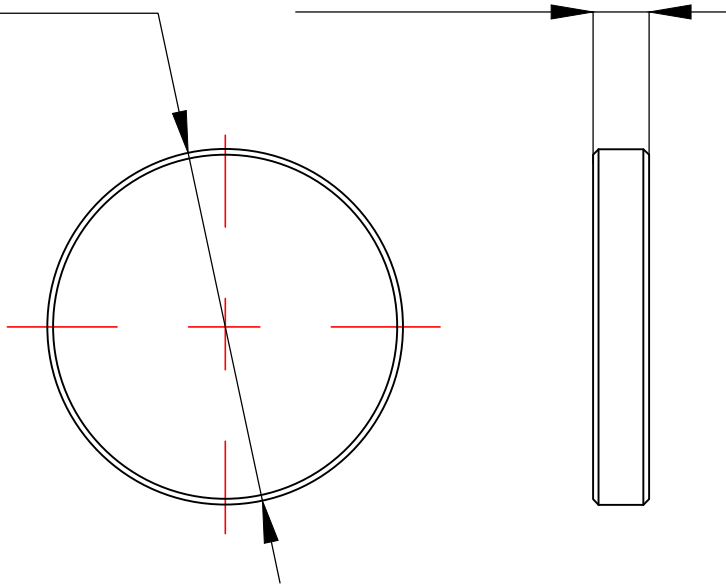


$\varnothing 12.7 \begin{smallmatrix} 0 \\ -0.1 \end{smallmatrix}$

$2 \pm 0.1$



### NOTES/SPECIFICATIONS:

1. MATERIALS: BK7
2. APERTURE: >90%
3. SURFACE QUALITY : 10/5 S/D
4. PARALLELISM: <10 ARC SECONDS
5. CHAMFER: 0.2mm x 45 DEGREE
6. FIATNESS:  $\lambda/4$  @ 633nm
7. COATING: UNCOATED
8. DIMENSION IN mm

FOR INFORMATION ONLY  
NOT FOR MANUFACTURING PURPOSES

|                               |      |            |                                      |         |
|-------------------------------|------|------------|--------------------------------------|---------|
| DRAWING PROJECTION            |      |            | <b>SHALOM EO</b><br>www.shalomeo.com |         |
| DRAWN                         | NAME | DATE       | BK7 D12.7x2mm WINDOWS WITH UNCOATED  |         |
| APPROVAL                      | LLL  | 18/June/20 | MATERIAL                             | BK7     |
| COPYRIGHT © 2020 BY SHALOM EO |      |            | REV                                  | A       |
|                               |      |            | ITEM #                               | 131-001 |
|                               |      |            | PROPORTION                           | 2:1     |