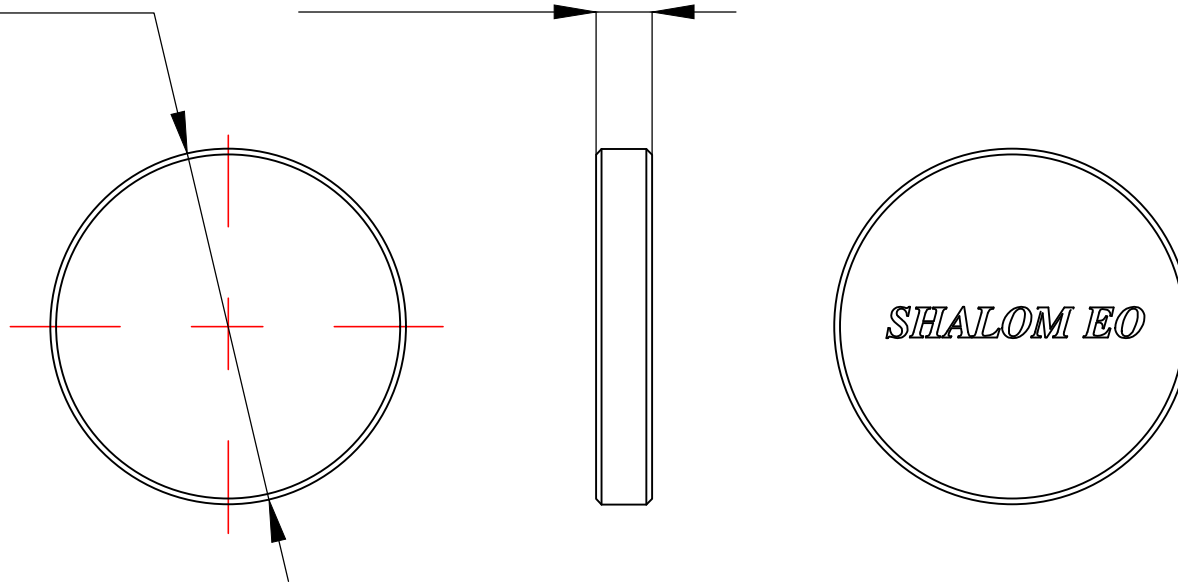


$\varnothing 12.7 \begin{matrix} 0 \\ -0.1 \end{matrix}$

$2 \pm 0.1$



### NOTES/SPECIFICATIONS:

1. MATERIALS: BK7
2. APERTURE: >90%
3. SURFACE QUALITY : 10/5 S/D
4. PARALLELISM: <10 ARC SECONDS
5. CHAMFER: 0.2mm x 45 DEGREE
6. FIATNESS:  $\lambda/4$  @ 633nm
7. COATING: AR/AR@400nm~700nm(REFER TO COATING CURVES)
8. DIMENSION IN mm

FOR INFORMATION ONLY  
NOT FOR MANUFACTURING PURPOSES

DRAWING PROJECTION			<b>SHALOM EO</b>	
			www.shalomeo.com	
DRAWN	NAME	DATE	BK7 D12.7x2mm WINDOWS WITH AR@400nm~700nm COATING	
APPROVAL	LLL	18/June/20	MATERIAL	BK7
	JT	18/June/20	REV	A
COPYRIGHT © 2020 BY SHALOM EO			ITEM #	131-002
			PROPORTION	2:1