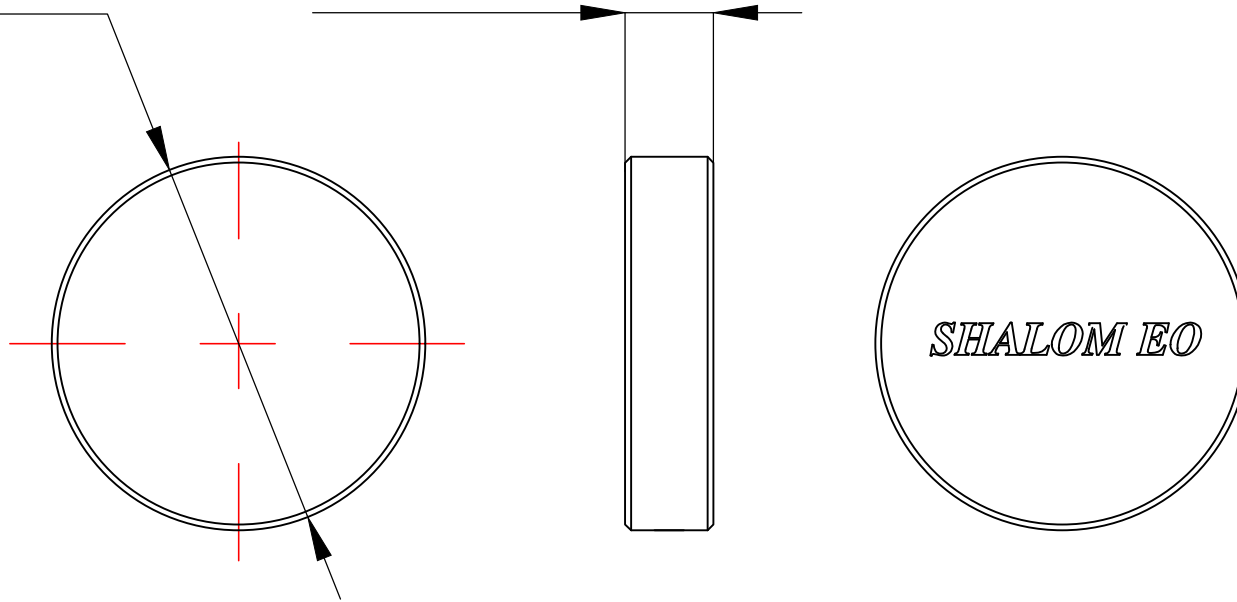


$\varnothing 12.7_{-0.1}^0$

3 ± 0.1



NOTES/SPECIFICATIONS:

1. MATERIALS: C7980
2. APERTURE: >90%
3. SURFACE QUALITY : 10/5 S/D
4. PARALLELISM: <10 ARC SECONDS
5. CHAMFER: 0.2mm x 45 DEGREE
6. FLATNESS: $\lambda/4$ @ 633nm
7. COATING: AR/AR@400nm~700nm(REFER TO COATING CURVES)
8. DIMENSION IN mm

**FOR INFORMATION ONLY
NOT FOR MANUFACTURING PURPOSES**

| | | | | | | |
|-------------------------------|------|------------|---|---------|------------|-----|
| DRAWING PROJECTION | | | SHALOM EO w w . shalomeo . c o m | | | |
| | NAME | DATE | C7980 D12.7x3mm WINDOWS WITH AR@400nm~700nm COATING | | | |
| DRAWN | LLL | 18/June/20 | | | | |
| APPROVAL | JT | 18/June/20 | | | | |
| COPYRIGHT © 2020 BY SHALOM EO | | | MATERIAL | C7980 | REV | A |
| | | | ITEM # | 133-006 | PROPORTION | 2:1 |